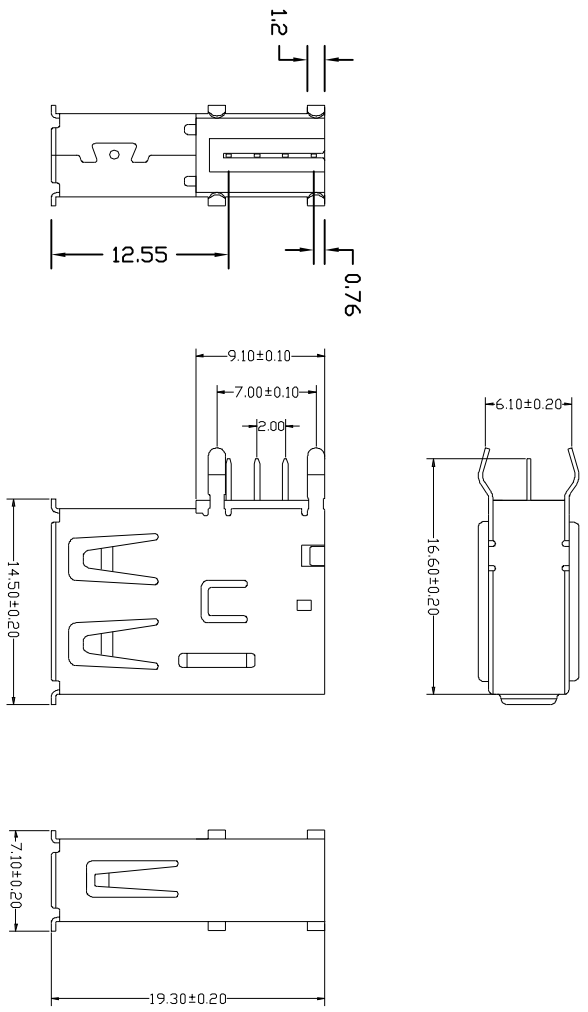
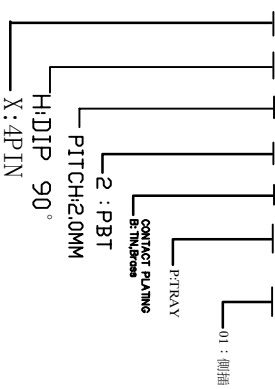


REV.	ENR. NO.	LOCATIONS.	DESCRIPTION	DATE	CHANGER
A				6-4-13	

# Ordering information

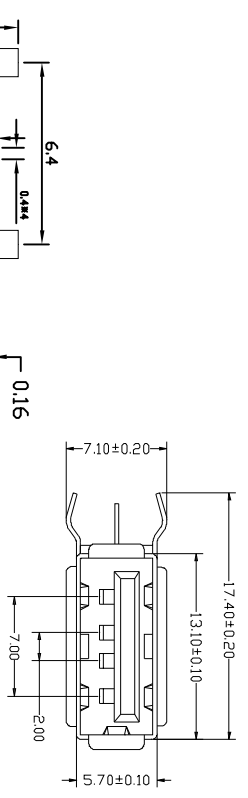
T-D U B X H H 2 B P-01



**NOTE:**

**1. MATERIAL:**

- a. HOUSING: PBT GLASS FIBRE UL94 V-0 ; WHITE
  - b. CONTACT: BRONZE T=0.25±0.02mm (SURFACE PLATING: Au1u"+Sn80~100u"+Ni60u")
  - c. SHEEL: BRONZE T=0.30±0.02mm (SURFACE PLATING: Cu80u"~100u" Ni100u"~120u")
- 2. ELECTRIC:**
- a. CONTACT RESISTANCE: 30 MILLIOHMS MAX
  - b. INSULATION RESISTANCE: 1000 MEGA OHMS MIN
  - c. DIELECTRIC VOLTAGE: 500V AC ONE SEC LEVEL
  - d. OPERATING TEMPERATURE: -55°C~85°C



UNLESS OTHERWISE SPECIFIED TOLERANCE

ANG	TOL	DIM	TOL(1)	TOL(2)	TOL(3)	TOL(4)	TOL(5)
0-5	±0.1	0~1	±0.015	±0.02	±0.03	±0.05	±0.10
10-20	±0.2	1~3	±0.02	±0.03	±0.05	±0.08	±0.13
20-40	±0.3	3~6	±0.03	±0.05	±0.08	±0.10	±0.15
40-60	±0.5	6~12	±0.05	±0.08	±0.10	±0.13	±0.18
60-80	±0.8	12~18	±0.08	±0.10	±0.13	±0.18	±0.20
80-120	±1.0	18~34	±0.10	±0.13	±0.18	±0.20	±0.25
120-150	±1.5	34~50	±0.13	±0.15	±0.18	±0.20	±0.30
150-180	±1.8	50~100	±0.15	±0.18	±0.20	±0.25	±0.35

TOLERANCE UNSPECIFIED: X. ±0.50 XX ±0.25 XXX ±0.15 XXXX ±0.05 X' ±2' XX' ±1'		<b>DISNT</b> 得升電子股份有限公司 DISNT MECHANICAL ELECTRONIC CO.,LTD	
PROJECTION: 	CHECKED BY: 何智权 DATE: 6-4-13	DRAWN BY: 杨熊 DATE: 6-4-13	TITLE: 成品规格图 PART NAME: USB A型插90°成品 (内打)
UNITS: mm [inch] SCALE: 1:1 SIZE: A4	APPROVED BY: 陈宗渊 DATE: 6-4-13	PART NO.: T-DUBXHH2BP-01 MOLD NO.:	DRAW NO.: T-DUBXHH2BP-01 SHEET: 1 OF 1