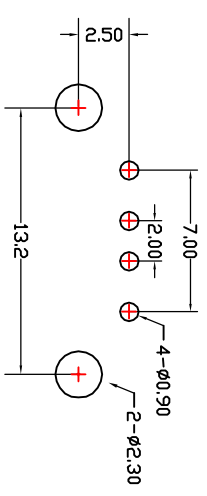
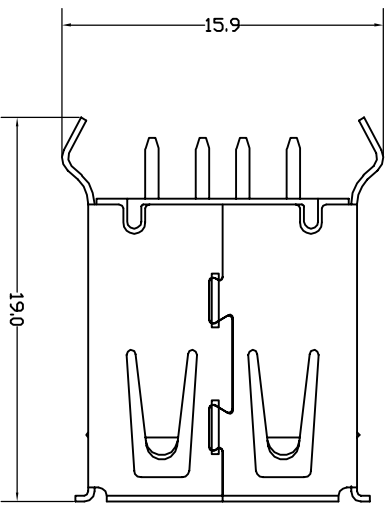
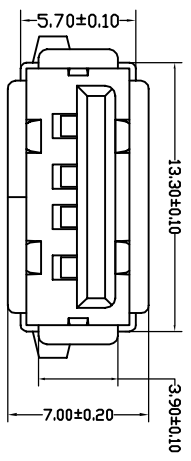
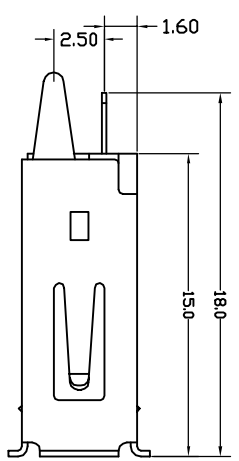
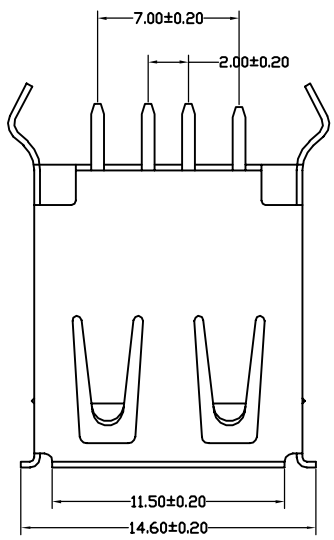
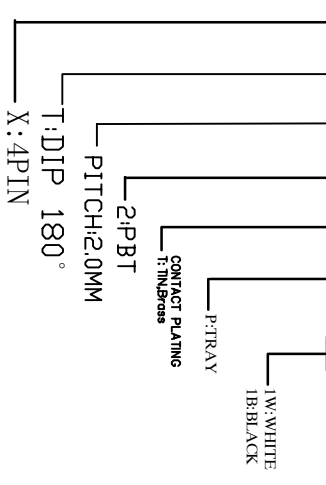


REV.	ECN NO.	LOCATIONS.	DESCRIPTION	DATE	CHANGER
A				06-03-13	

# Ordering information

T-D U B X T H 2 T P-XX



NO.	NAME	MATERIAL	FINISH	REMARK	Q' TY
1	HOUSING	P. B. T	White/Black	-1W/-1B	1
2	PIN TERM	Brass T:0.25	GOLD/TIN PLATED	ADD "+500" "1000" "+1500"	4
3	SHELL	SPCC T:0.3	NICKEL PLATED	Q80" "1000" "N100" "1200"	1

TOLERANCE UNSPECIFIED: X ±0.50 X.X ±0.25 X.XX ±0.15 X.XXX ±0.05 X.X ±1 X.X ±1		PROJECTION: 		UNIT: mm [inch] SCALE: 1:1 SIZE: A4	
<b>DISNT</b> 得升電子股份有限公司 DISNT MECHANICAL ELECTRONIC CO., LTD		DRAWN BY: 杨熊 CHECKED BY: 何智权 APPROVED BY: 陈宗渊		DATE: 6-3-13 DATE: 6-3-13 DATE: 6-3-13	
TITLE: 成品规格图 PART NAME: USB A# 180度插板壳体成品		PART NO.: T-DUBXTH2BP-XX MOLD NO.:		DRAW NO.: T-DUBXTH2BP-XX SHEET: 1 OF 1	