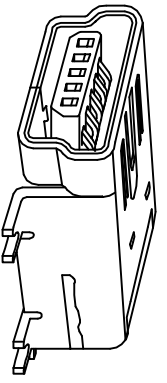
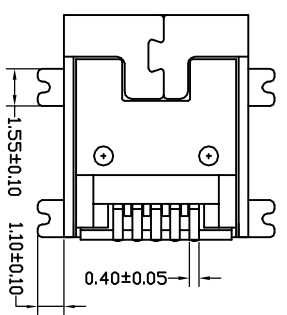
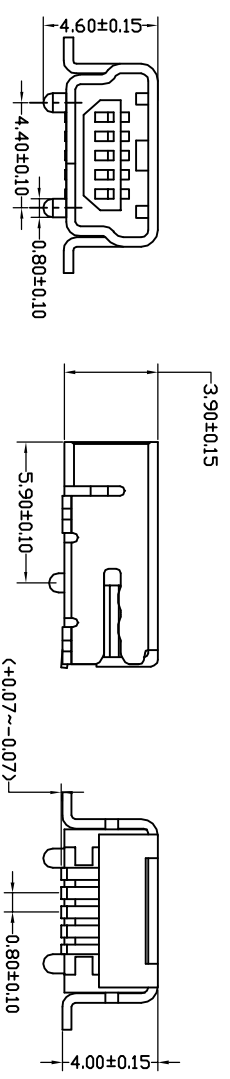
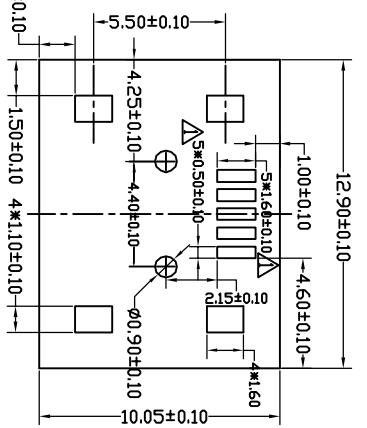


REV.	EQN. NO.	LOCATIONS.	DESCRIPTION	DATE	CHANGER
A				08-20-13	

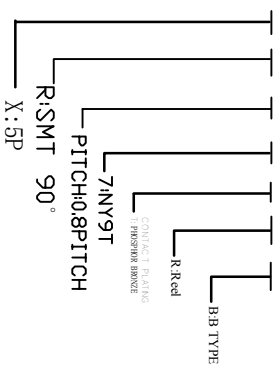


- NOTE:
- MATERIAL:
 - HOUSING:PART GLASS FIBRE UL94 V-0 ;
 - CONTACT:PHOSPHOR BRONZE T=0.25mm (SURFACE PLATING: Au 1 or 30u"+5n80~100u"+Ni60u")
 - SHEET: BRASS T=0.40mm (SURFACE PLATING: Ni100u"~120u")
 - ELECTRIC:
 - CONTACT RESISTANCE: 30 MILLIOHMS MAX
 - INSULATION RESISTANCE: 1000 MEGA OHMS MIN
 - DIELECTRIC VOLTAGE: 500V AC ONE SEC LEVEL
 - OPERATING TEMPERATURE: -55~ 105°



Ordering information

T-DM1 5 R C 7 T R-B0



TOLERANCE UNSPECIFIED: X. ±0.50 X.X. ±0.25 XXX ±0.15 XXXX ±0.05 X.X. ±.2° XX. ±.1°		DISNT 得升電子股份有限公司 DISNT MECHANICAL ELECTRONIC CO.,LTD	
DRAWN BY: 杨熊 CHECKED BY: 何智权 APPROVED BY: 陈宗渊	DATE: 8-20-13 DATE: 8-20-13 DATE: 8-20-13	TITLE: 成品规格圖 PART NAME: MINI USB SP7F B 8PIN SMT FT2H	PART NO.: T-DM15RC7TR-B0 MOLD NO.: DRAW NO.: T-DM15RC7TR-B0 SHEET: 1 OF 1
PROJECTION: 	UNIT: mm [inch] SCALE: 1:1		