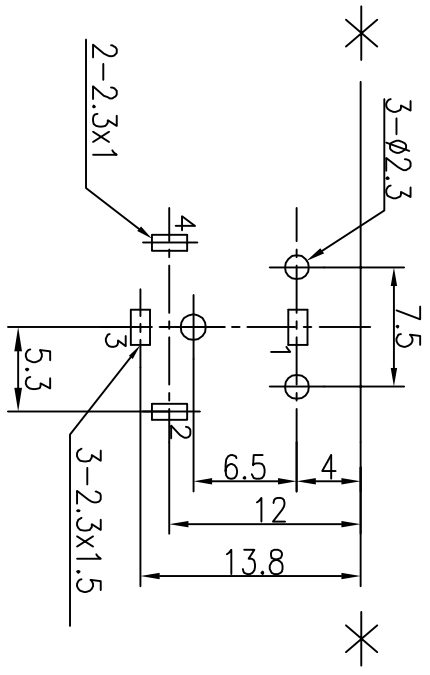
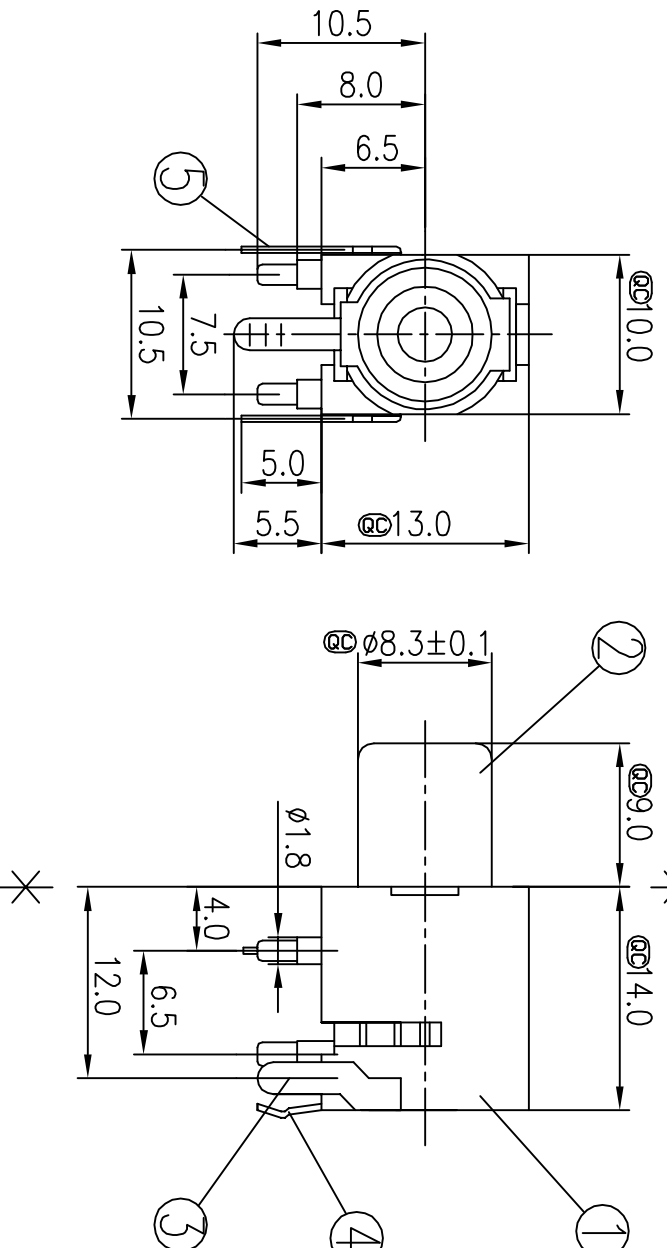
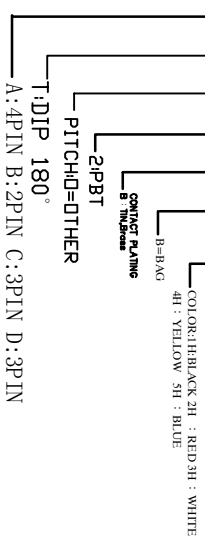


REV.	ECH NO.	LOCATIONS.	DESCRIPTION	DATE	CHANGER
A				08-08-13	

Ordering information

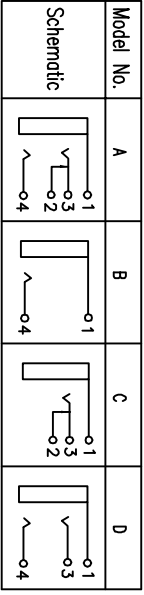
T-D R C X T O 2 B B-XX



T:1.6 Dimensions of PC board holes

Tolerance : ±0.1(Printed-bottom view)

Model No.	COLOR
1H	BLACK
2H	RED
3H	WHITE
4H	YELLOW
5H	BLUE



NO.	DESCRIPTION	QTY	MATERIAL	REMARK
5	TERMINAL	1	C2680	t=0.4 MB:Cu Cu/Sn PLATED
4	TIP SPRING	1	C5191	t=0.4 MB:Cu Ag PLATED
3	SHUNT SPRING	1	C2680	t=0.4 MB:Cu Ag PLATED
2	OUTER CONTACT	1	C2680	t=0.4 MB:Cu Ag PLATED
1	HOUSING	1	PBT	

TOLERANCE UNSPECIFIED:

X	±0.50
X.X	±0.25
X.XX	±0.15
X.XXX	±0.05
X.XX	±7°
X.X	±1°

UNIT: mm [inch]	SCALE: 1:1	SIZE: A4	
DISNT 得升電子股份有限公司 DISINT MECHANICAL ELECTRONIC CO.,LTD		TITLE: 成品規格圖 PART NAME: PIN JACK	
DRAWN BY: 杨能	DATE: 8-8-13	PART NO. T-DRCTD2BB-XX	MOLD NO.
CHECKED BY: 何智权	DATE: 8-8-13	DRAW NO. T-DRCTD2BB-XX	SHEET
APPROVED BY: 陈宗渊	DATE: 8-8-13	1 OF 1	