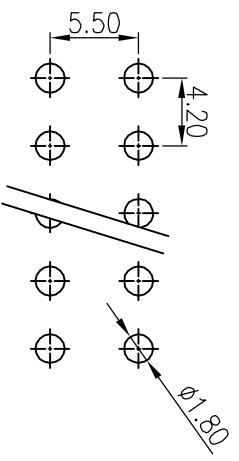
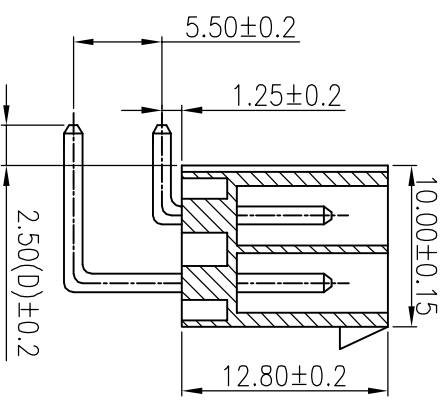
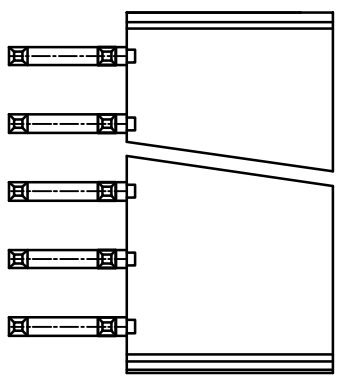
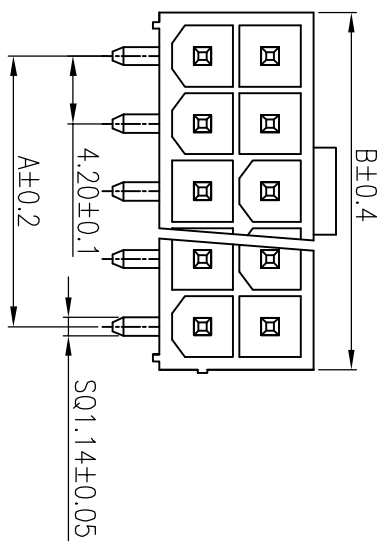


pin /row	A	B
2x2	4.20	10.00
2x3	8.40	14.20
2x4	12.60	18.40
2x5	16.80	22.60
2x6	21.00	26.80
2x7	25.20	31.00
2x8	29.40	35.20
2x9	33.60	39.40
2x10	37.80	43.60
2x11	42.00	47.80
2x12	46.20	52.00
2x13	50.40	56.20
2x14	54.60	60.40
2x15	58.80	64.60
2x16	63.00	68.80
2x17	67.20	73.00
2x18	71.40	77.20
2x19	75.60	81.40
2x20	79.80	85.60
2x21	84.00	89.80
2x22	88.20	94.00
2x23	92.40	98.20
2x24	96.60	102.40
2x25	100.80	106.60
2x26	105.00	110.80
2x27	109.20	115.00
2x28	113.40	119.20

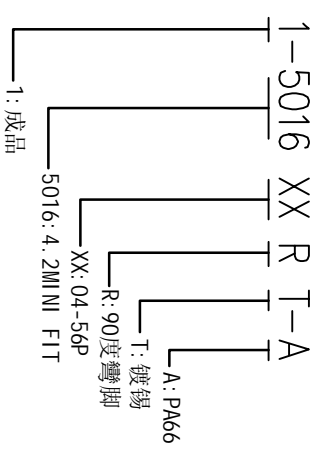


REV.	ECN NO.	LOCATIONS.	DESCRIPTION	DATE	CHANGER
A				08-04-23	

Specification

Rated Voltage: 350V AC/DC
 Rated Current: 7A AC/DC
 Contact Resistance: 30mohms max
 Insulator Resistance: 1000Megohms/Min.
 Dielectric Withstanding: 1500V AC
 Operating Temperature: -25°C~+85°C
 Plastic Material: PA66+30%GF, UL94V-2, White
 Contact Material: Brass
 Finish: TIN Plated

Ordering information



ITEM	PART NO	SPECIFICATION	QTY
1	2-5016XX-A	4.2mm Water 塑膠 2xNP 材質 PA66, 本色	1PCS
2	5-Q114x155R-T	1.14四方鐵線針, 90度長 15.5	NPCS
3	5-Q114x251R-T	1.14四方鐵線針, 90度長 25.1	NPCS

DISRT 東莞得升電子機械有限公司
 DSVT MECHANICAL ELECTRONIC CO.,LTD

TOLERANCE UNSPECIFIED:		TITLE: 成品規格圖	
X	±0.30	PART NO.	1-5016XXRT-A
XX	±0.25	MOLD NO.	
XXX	±0.15	PART NAME:	4.2mm MINI FIT
X.XXX	±0.05		
X.X	±2'		
XX	±1'		

PROJECTION:	CHECKED BY:	DATE:	PART NO.
	何智权	10-8-16	1-5016XXRT-A
UNIT: mm [inch]	DRAWN BY:	DATE:	MOLD NO.
SCALE: 1:1	陈雄军	10-8-16	
	陈宗渊	10-8-16	PA66+30%GF, UL94V-2, White
			Brass
			TIN Plated
			1 OF 1