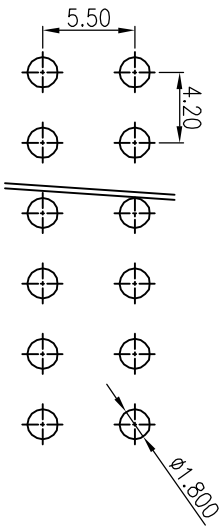
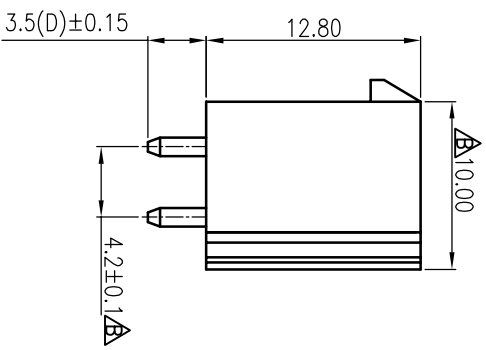
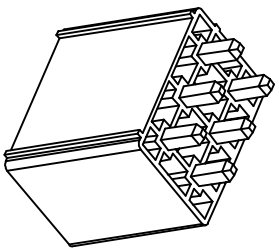
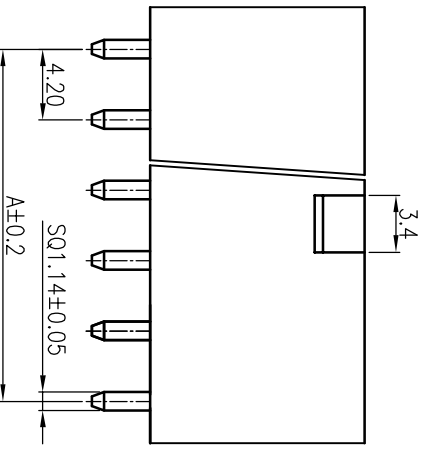
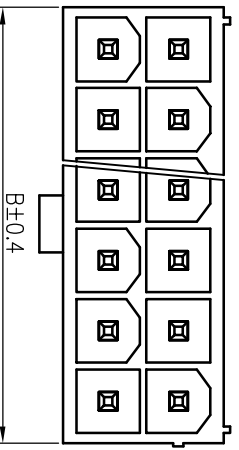


pin /row	A	B
2x2	4.20	10.00
2x3	8.40	14.20
2x4	12.60	18.40
2x5	16.80	22.60
2x6	21.00	26.80
2x7	25.20	31.00
2x8	29.40	35.20
2x9	33.60	39.40
2x10	37.80	43.60
2x11	42.00	47.80
2x12	46.20	52.00
2x13	50.40	56.20
2x14	54.60	60.40
2x15	58.80	64.60
2x16	63.00	68.80
2x17	67.20	73.00
2x18	71.40	77.20
2x19	75.60	81.40
2x20	79.80	85.60
2x21	84.00	89.80
2x22	88.20	94.00
2x23	92.40	98.20
2x24	96.60	102.40
2x25	100.80	106.60
2x26	105.00	110.80
2x27	109.20	115.00
2x28	113.40	119.20



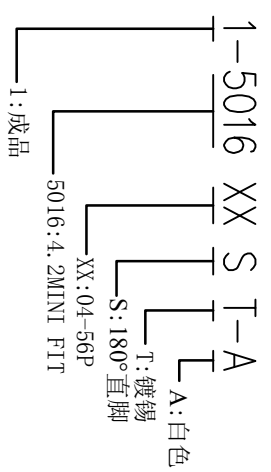
P.C.B LAYOUT

REV.	EQN. NO.	LOCATIONS.	DESCRIPTION	DATE	CHANGER
A			新版本	07-04-02	
B	ECN07062901	△ X2	版面错误	07-06-29	肖参昆

Specification

- Rated Voltage: 350V AC/DC
- Rated Current: 7A AC/DC
- Contact Resistance: 30mohms max
- Insulator Resistance: 1000Megohms/Min.
- Dielectric Withstanding: 1500V AC
- Operating Temperature: -25°C~+80°C
- Plastic Material: PA66+30%GF, UL94V-2, 白色
- Contact Material: Brass
- Finish: TIN Plated

Ordering information



ITEM	PART NO	SPECIFICATION	QTY
1	2-5016X-A	4.2mm MINI FIT 塑膠2mm, 白色	1PCS
2	5-0114x127S-I	1.14四方螺絲針, 180°長12.7	NPCS

DISNT 東莞得升電子機械有限公司
DISNT MECHANICAL ELECTRONIC CO.,LTD

DRAWN BY: 杨熊
DATE: 6-29-07
CHECKED BY: 何智权
DATE: 6-29-07
APPROVED BY: 陈宗渊
DATE: 6-29-07

TOLERANCE UNSPECIFIED:
X ±0.50
XX ±0.25
XXX ±0.10
XXXX ±0.05
X' ±2
X'' ±1

PROJECTION:

UNITS: mm [inch]
SCALE: 1:1 SIZE: A4

TITLE: 成品规格图
PART NAME: 4.2mm MINI FIT
PART NO.: 1-5016XXST-A
MOLD NO.:
DRAW NO.: A-1-5016XXST-A
SHEET: 1 OF 1