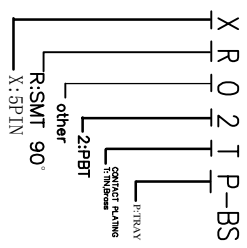
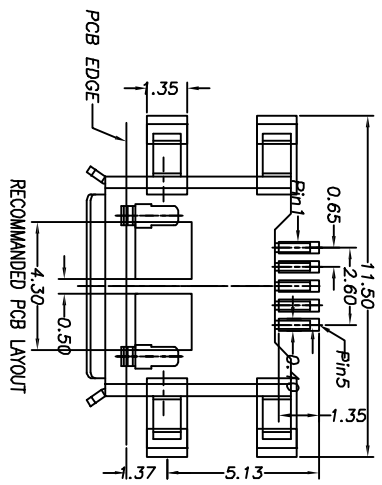
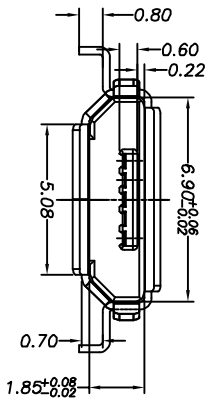
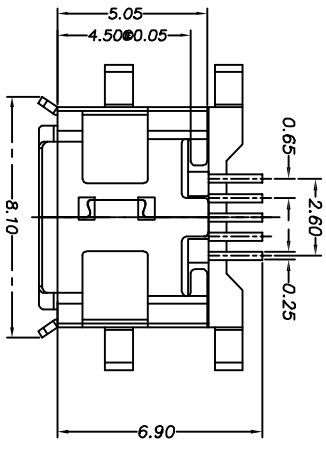
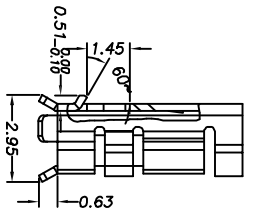
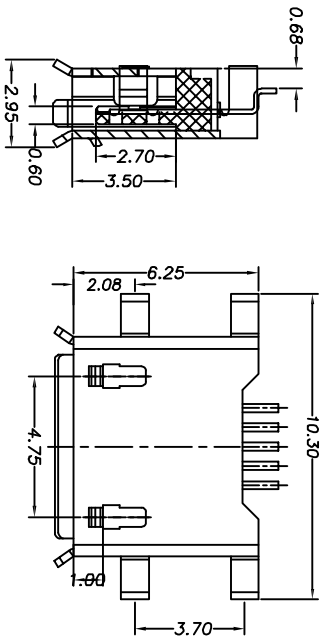
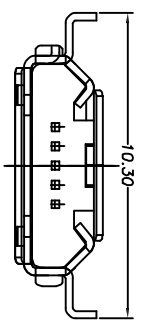


REV.	ECN NO.	LOCATIONS	DESCRIPTION	DATE	CHANGER
A				07-02-13	



Ordering information

T-D M U X R O 2 T P-BS

Note:

1. Material:
 - 1.1 Housing: High temperature thermoplastic with g.f.U194V-0
 - 1.2 Contact: copper alloy,t=0.20mm
 - 1.3 Shell: copper alloy,t=0.25mm
2. Specification:
 - 2.1 Current rating: 1 A Max.
 - 2.2 Dielectric withstanding voltage: 100 V(ac) for 1 min.
 - 2.3 Contact resistance: 50 mΩ Max.
 - 2.4 Insulation resistance: 100 MΩ Min.
 - 2.5 Total mating force: 3.57 Kgf Max.
 - 2.6 Total unmating force: 1.0 Kgf Min.0.81~2.05 Kgf Min.after 10000 insertion/extraction cycles
 - 2.7 Temperature range: -30°C~80°C

<p>DISNT 得升電子股份有限公司 DISNT MECHANICAL ELECTRONIC CO.,LTD</p>		<p>TOLERANCE UNSPECIFIED: X. ±0.50 X.X ±0.25 X.XX ±0.15 X.XXX ±0.05 X.X' ±2' X.X" ±1'</p>		<p>DRAWN BY: 杨熊 DATE: 7-2-13</p>		<p>TITLE: 成品规格图</p>	
<p>CHECKED BY: 何智权 DATE: 7-2-13</p>		<p>APPROVED BY: 陈宗渊 DATE: 7-2-13</p>		<p>PART NO. T-DMUXR02TP-BS</p>		<p>MOLD NO.</p>	
<p>PROJECTION: </p>		<p>UNIT: mm [inch]</p>		<p>DRAW NO. T-DMUXR02TP-BS</p>		<p>SHEET 1 OF 1</p>	
<p>SCALE: 1:1</p>		<p>SIZE: A4</p>					

