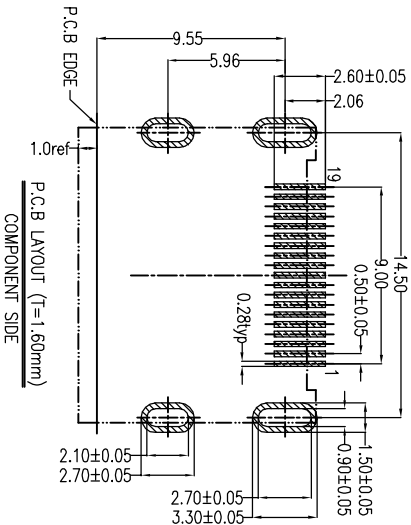
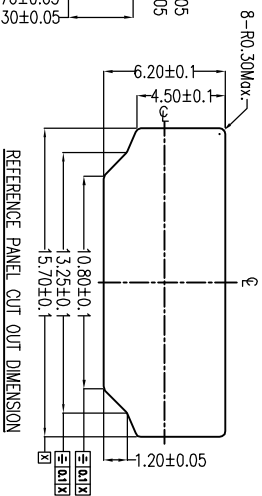
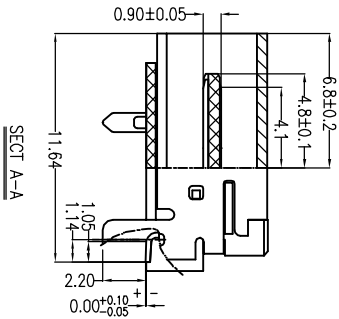
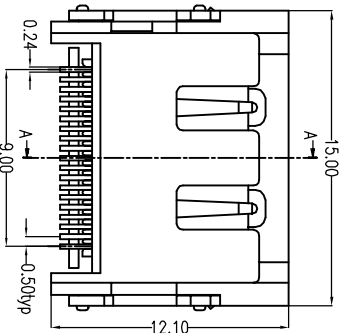
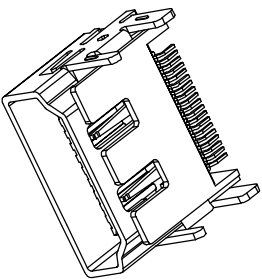
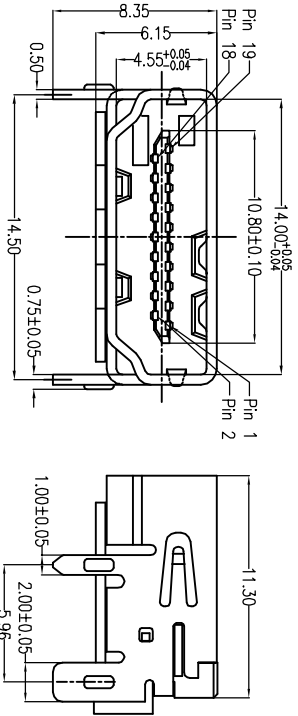


REV.	EN. NO.	LOCATIONS	DESCRIPTION	DATE	CHANGER
A				06-03-13	

No.	Signal Name	No.	Signal Name
1	TMDS Data2+	11	TMDS Clock Shield
2	TMDS Data2 Shield	12	TMDS Clock-
3	TMDS Data2-	13	CRC
4	TMDS Data1+	14	Reserved (in cable but N.C. on device)
5	TMDS Data1 Shield	15	SCD
6	TMDS Data1-	16	SDA
7	TMDS Data0+	17	DDC/CRC Ground
8	TMDS Data0 Shield	18	+5V Power
9	TMDS Data0-	19	Hot Plug Detect
10	TMDS Clock+		



NOTES:

- *Material
Housing: LCP+50%G.F., UL 94V-0 Rated; Color: Black.
Shell: Brass.
Plating: Nickel(40u" Min.) Plating .
Contact: Brass.
Plating: Gold plating on contact area;
Tin(100u" Min.) plating on solder tail;
Nickel(40u" Min.) underplating overall.

*Electrical Specification

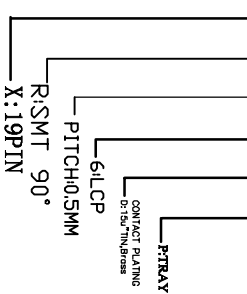
- Operation Voltage: 40 VAC max.
- Current Rating: 0.5 Ampere per contact
- Contact Resistance: 10 mΩ max.
- Insulation Resistance: 100 MΩ min.
- Dielectric Withstanding Voltage: 500 VAC

*Environmental

- Operating Temperature: -20°C to +85°C

Ordering information

T-D H D X R B 6 D P-XX



TOLERANCE UNSPECIFIED: X, ±0.50 XX, ±0.25 XXX, ±0.15 XXXX, ±0.05 X', ±2" X'X', FT"		PROJECTION: 		DRAWN BY: 杨熊 DATE: 6-3-13 TITLE: 成品规格图 PART NAME: High Definition Media Interface (9PinShield)SMT Type(No Posts) (No Flange) PART NO.: T-DHDXRB6DP-00 MOLD NO.:	
UNITS: mm [inch] SCALE: 1:1 SIZE: A4		CHECKED BY: 何智权 DATE: 6-3-13		APPROVED BY: 陈宗渊 DATE: 6-3-13 DRAW NO.: T-DHDXRB6DP-00 SHEET: 1 OF 1	

DISNT 得升電子股份有限公司
DISNT MECHANICAL ELECTRONIC CO., LTD

E

D

C

B

A

E

D

C

B

A