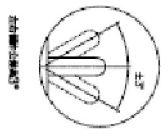
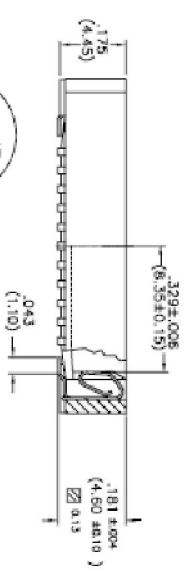
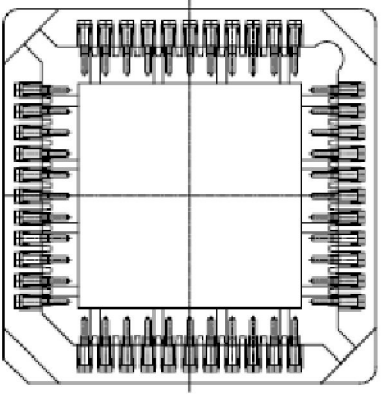
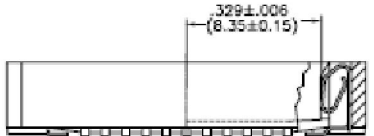
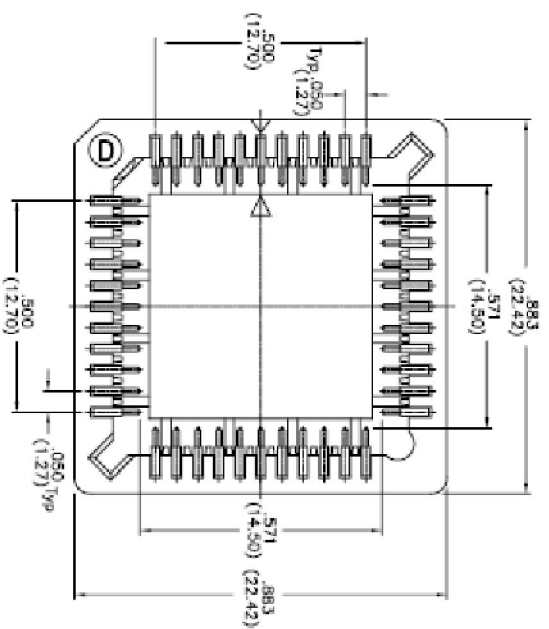
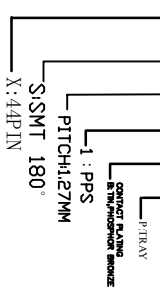


REV.	ECH. NO.	LOCATIONS.	DESCRIPTION	DATE	CHANGER
A				6-4-13	

Ordering information  
T-D P C 44 S F 1 B P-00



**SPECIFICATIONS**  
INSULATION RESISTANCE:  
1000 MEGOHMS MIN.  
DIELECTRIC WITHSTAND STRENGTH:  
500V (r.m.s.) AC FOR 1 MINUTE.  
CONTACT RESISTANCE:  
30 mΩ MAX.  
TEMPERATURE:  
-55°C ~ +105°C.

**MATERIALS AND FINISH**  
HOUSING MATERIAL:  
POLYPHENYLENE SULFIDE  
UL-94V-0.  
CONTACTS:  
PHOSPHOR BRONZE.  
PLATING:  
150μ" MIN SN  
50μ" MIN NICKEL OVERALL.

TOLERANCE UNSPECIFIED:		X ±0.50		X.X ±0.25		X.XX ±0.15		X.XXX ±0.05		X.X' ±2'		X.X" ±1"	
PROJECTION:		[Symbol]		[Symbol]		[Symbol]		[Symbol]		[Symbol]		[Symbol]	
UNIT: mm [inch]		mm [inch]		mm [inch]		mm [inch]		mm [inch]		mm [inch]		mm [inch]	
SCALE: 1:1		SIZE: A4		SIZE: A4		SIZE: A4		SIZE: A4		SIZE: A4		SIZE: A4	
DRAWN BY: 杨熊		DATE: 6-4-13		TITLE: 成品规格图		PART NO. T-DPC44SF1BR-00		PART NAME: PLCC SMD TYPE 44 POS		MOLD NO.		PART NO. T-DPC44SF1BR-00	
CHECKED BY: 何智权		DATE: 6-4-13		DRAW NO. T-DPC44SF1BR-00		SHEET 1 OF 1		DRAW NO. T-DPC44SF1BR-00		SHEET 1 OF 1		DRAW NO. T-DPC44SF1BR-00	
APPROVED BY: 陈宗渊		DATE: 6-4-13		SHEET 1 OF 1		DRAW NO. T-DPC44SF1BR-00		SHEET 1 OF 1		DRAW NO. T-DPC44SF1BR-00		SHEET 1 OF 1	

**DISMT** 得升电子股份有限公司  
DISMT MECHANICAL ELECTRONIC CO., LTD